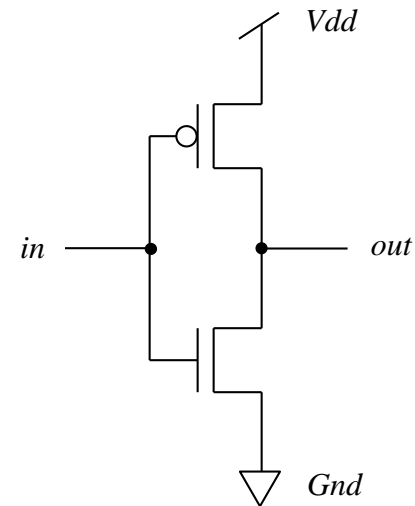
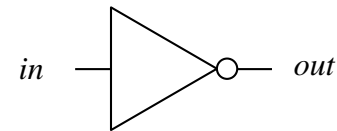


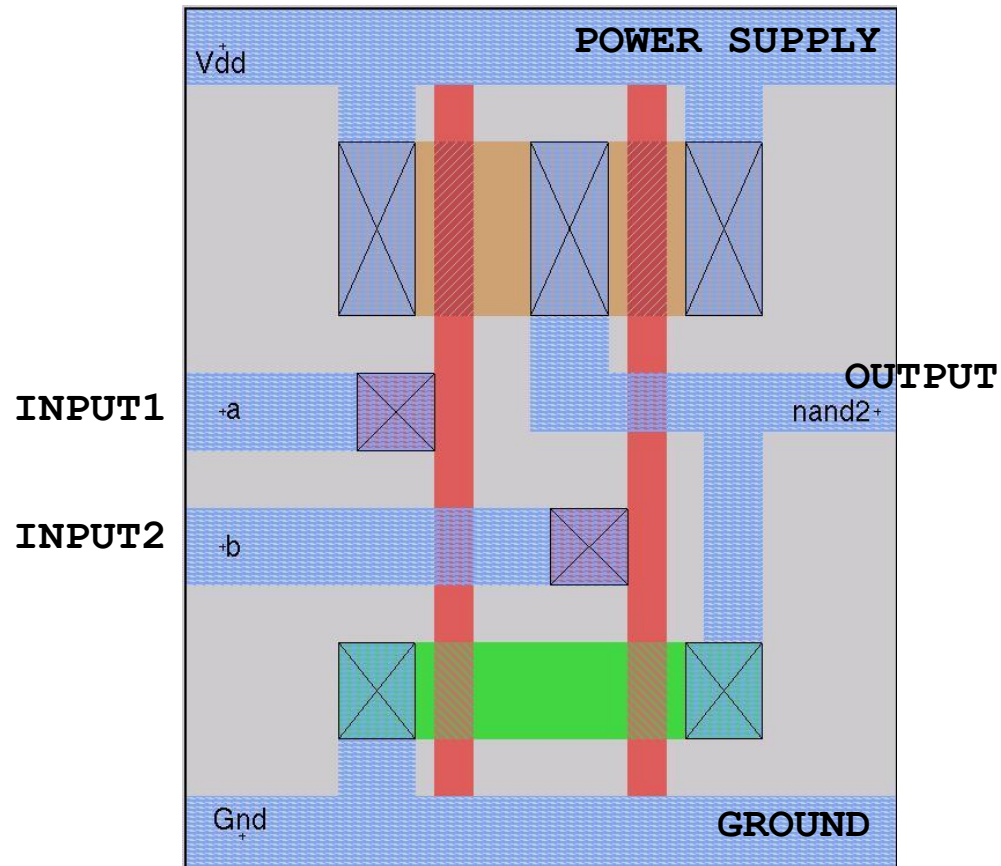
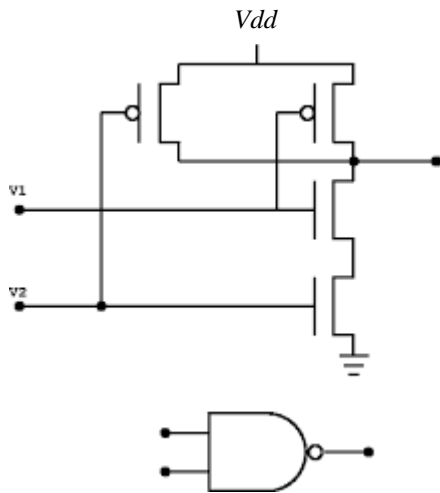
The Static CMOS Inverter

- The simplest CMOS digital gate is the inverter
- $out = \text{NOT}(in)$
- Logic symbol (top)
- Transistor schematic (bottom)



2-Input Static CMOS NAND Gate

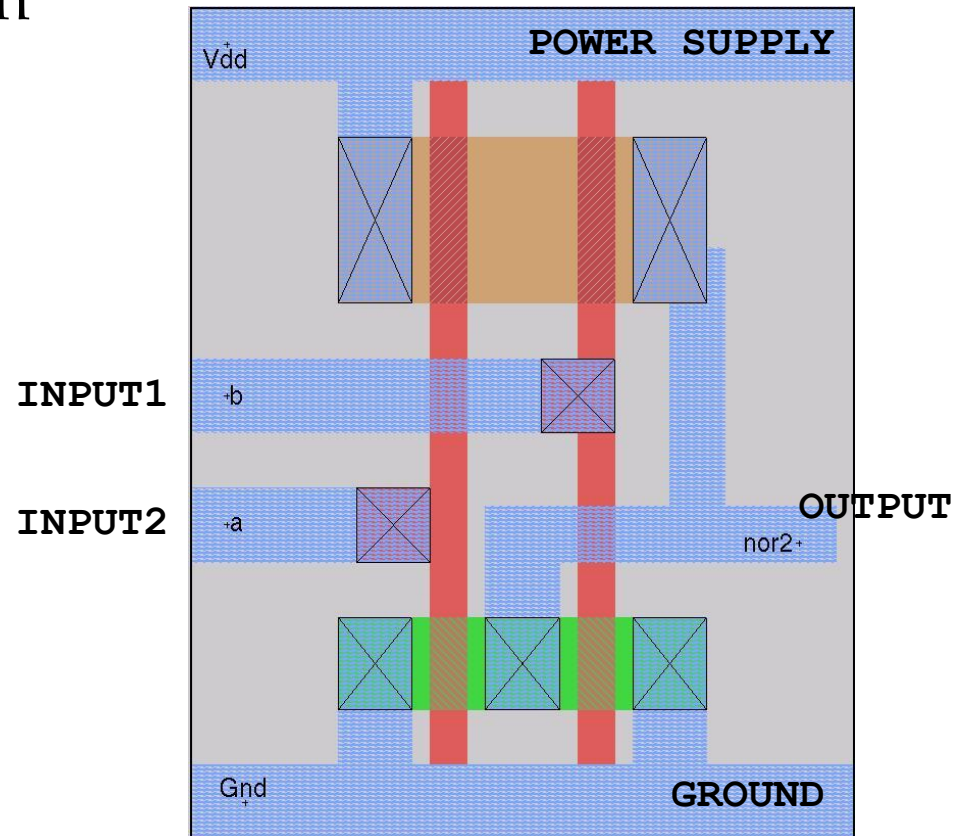
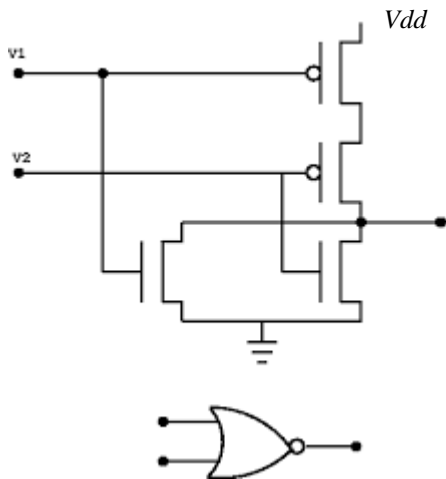
- Here is an AND gate (with an inverted output, which is called a NAND)



Source: Mike Lai

2-Input Static CMOS NOR Gate

- Here is an OR gate (with an inverted output, which is called a NOR)



Source: Mike Lai

Full Adder Layout

- Here is a Full Adder

